

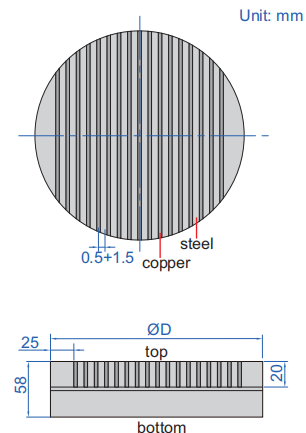
## ROUND PERMANENT MAGNETIC CHUCKS

ATTENTION:  
NOT HARDENED

- The magnetic pole arrangement is dense and can hold thin and small workpieces
- Parallelism of top to bottom: 0.02mm/300mm



6542-300



Code	Table size (ØD)	Magnetic force	Pole pitch
6542-125	125mm	8kgf/cm <sup>2</sup>	0.5+1.5mm
6542-160	160mm	8kgf/cm <sup>2</sup>	0.5+1.5mm
6542-200	200mm	8kgf/cm <sup>2</sup>	0.5+1.5mm
6542-250	250mm	8kgf/cm <sup>2</sup>	0.5+1.5mm
6542-300	300mm	8kgf/cm <sup>2</sup>	0.5+1.5mm